

WICREATIONS

WIDE ECK

2021

WI

PHOTO BY LINDSAY CAHILL

WHAT IS WIDECK

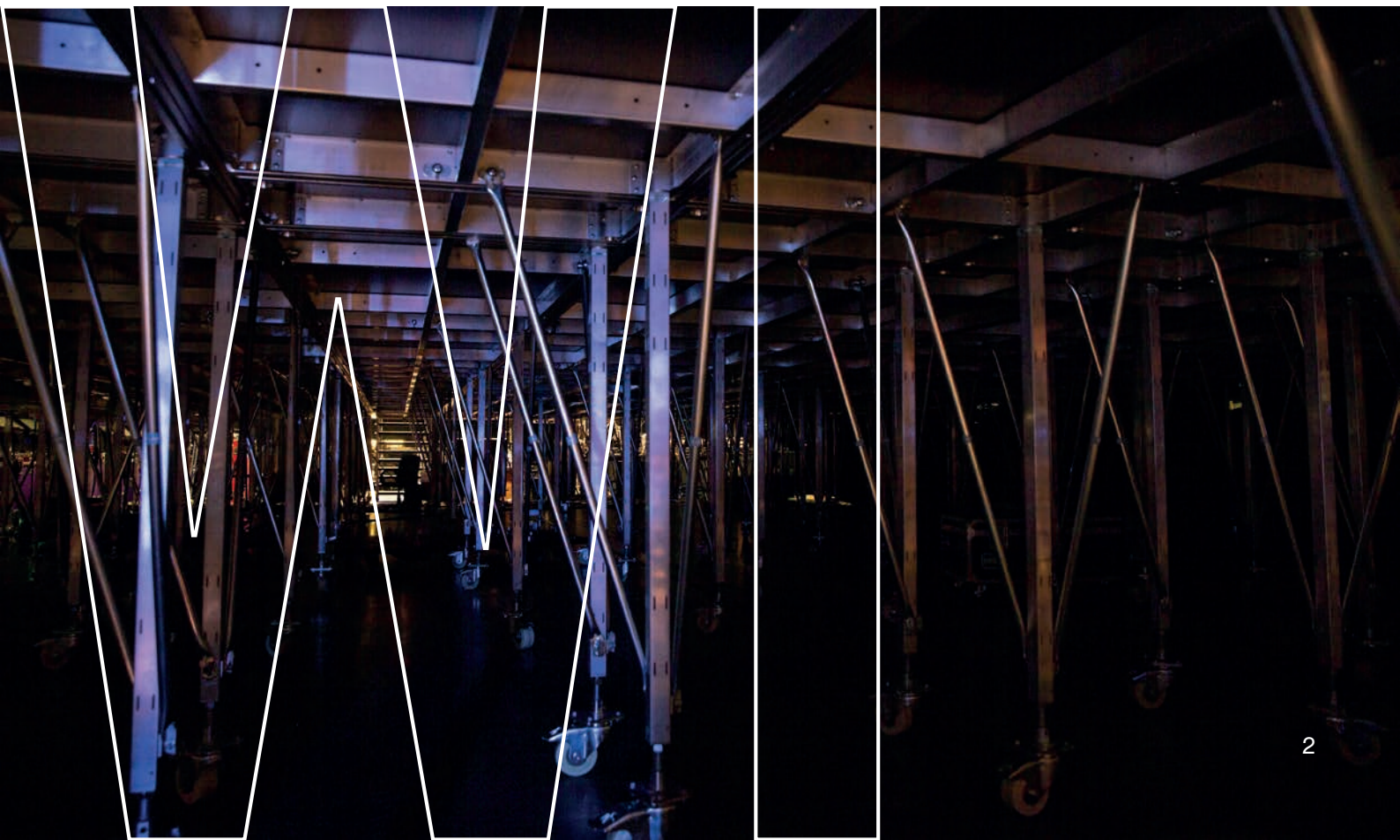
WIDECK is a complete staging system for all sorts of events. When we designed WIDECK the objective was to create a flexible, quick and easy to setup staging system for touring and other events. We had a strong and stable construction in mind with an open structure under the stage for storage and tech areas. On top it had to be very compact for travel.

User experience shows WIDECK is a unique, flexible and 360° system that has the potential to produce any creative stage you can think of.

It can be static or on wheels, for indoor or outdoor use as you wish. Our standard top finish is black antislip but on demand we can produce any finish and color you desire. Handrails, stairs and even lifts from our WIMOTION system can easily be added. It all works together as one integrated system.



TESTBUILD LONDON, GENESIS | PIC BY LINDSAY CAVE

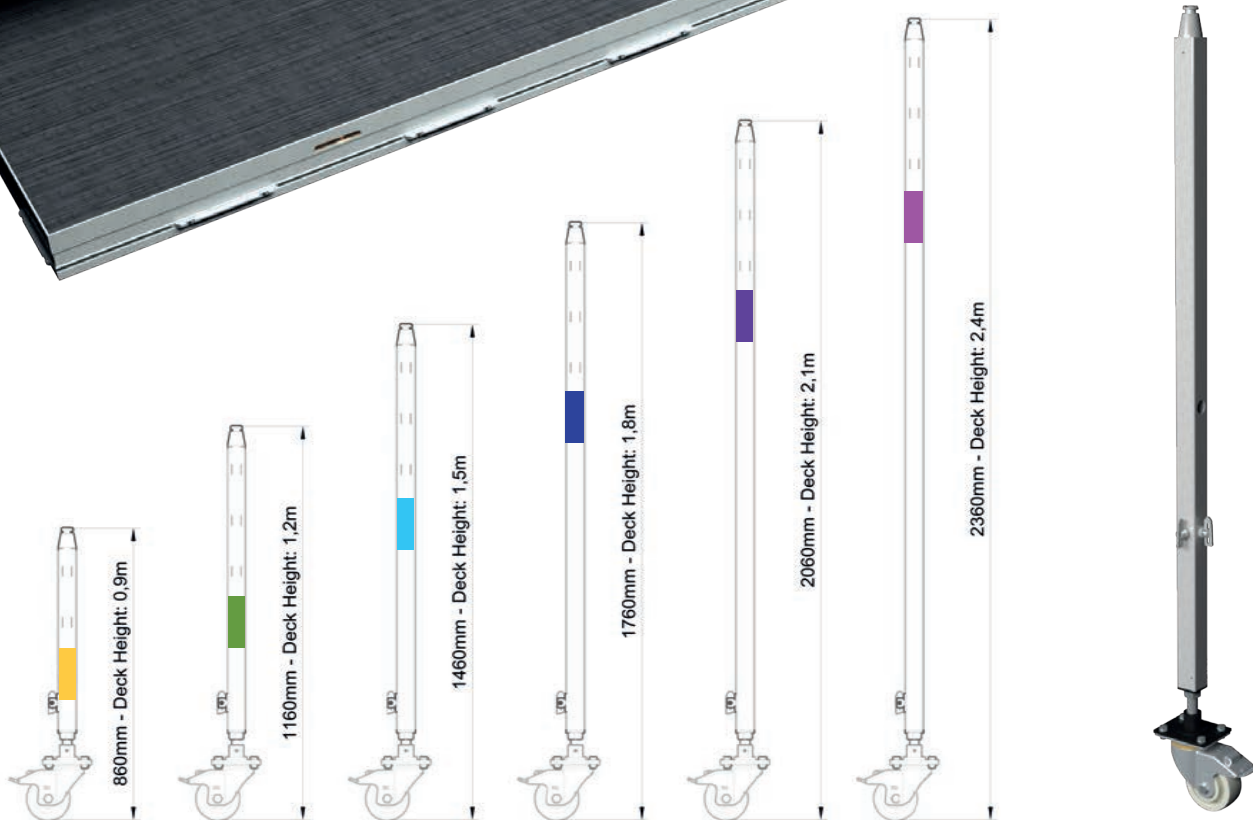
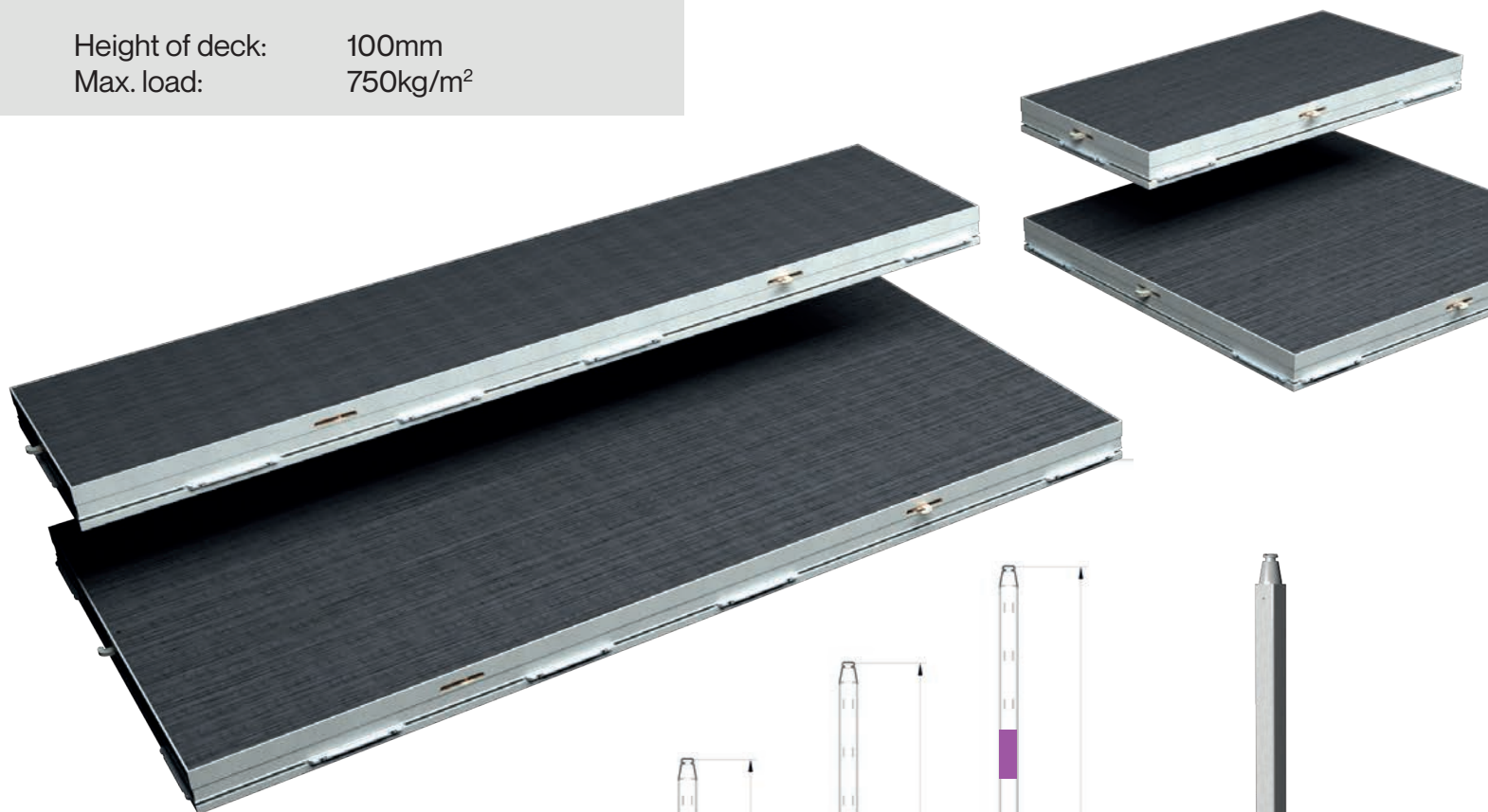


SPECIFICATIONS

Dimensions standard decks:

- 2130mm x 1065mm weight: 54,71 kg
- 2130mm x 532,5mm weight: 32,30 kg
- 1065mm x 1065mm weight: 32,29kg
- 1065mm x 532,5 weight: 19,04 kg

Height of deck: 100mm
Max. load: 750kg/m²

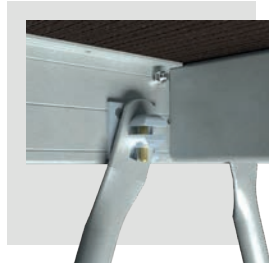


Our color coded aluminium legs can be fixed, adjustable (100mm) or adjustable caster legs (50mm)

DETAILS



- Support legs connect via spigots which lock automatically

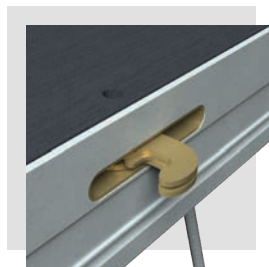


- Fast locking diagonals allow quick setup

Standard finish in black antislip



Adjustable castor wheels



- Locking between decks with Coffin locks. (8mm Hex key)



- For extra stability, reinforced braces connect the stage modules and legs.

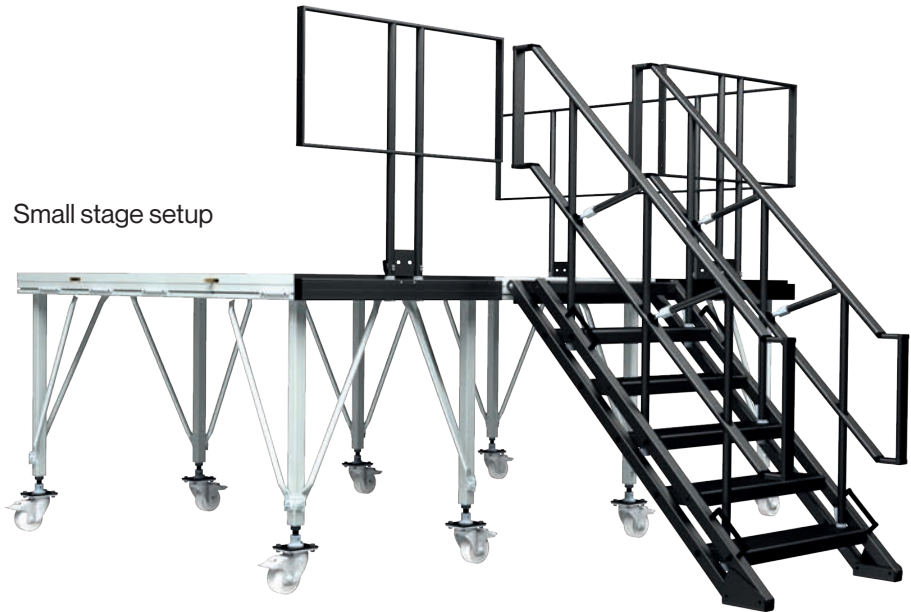
ACCESSORIES



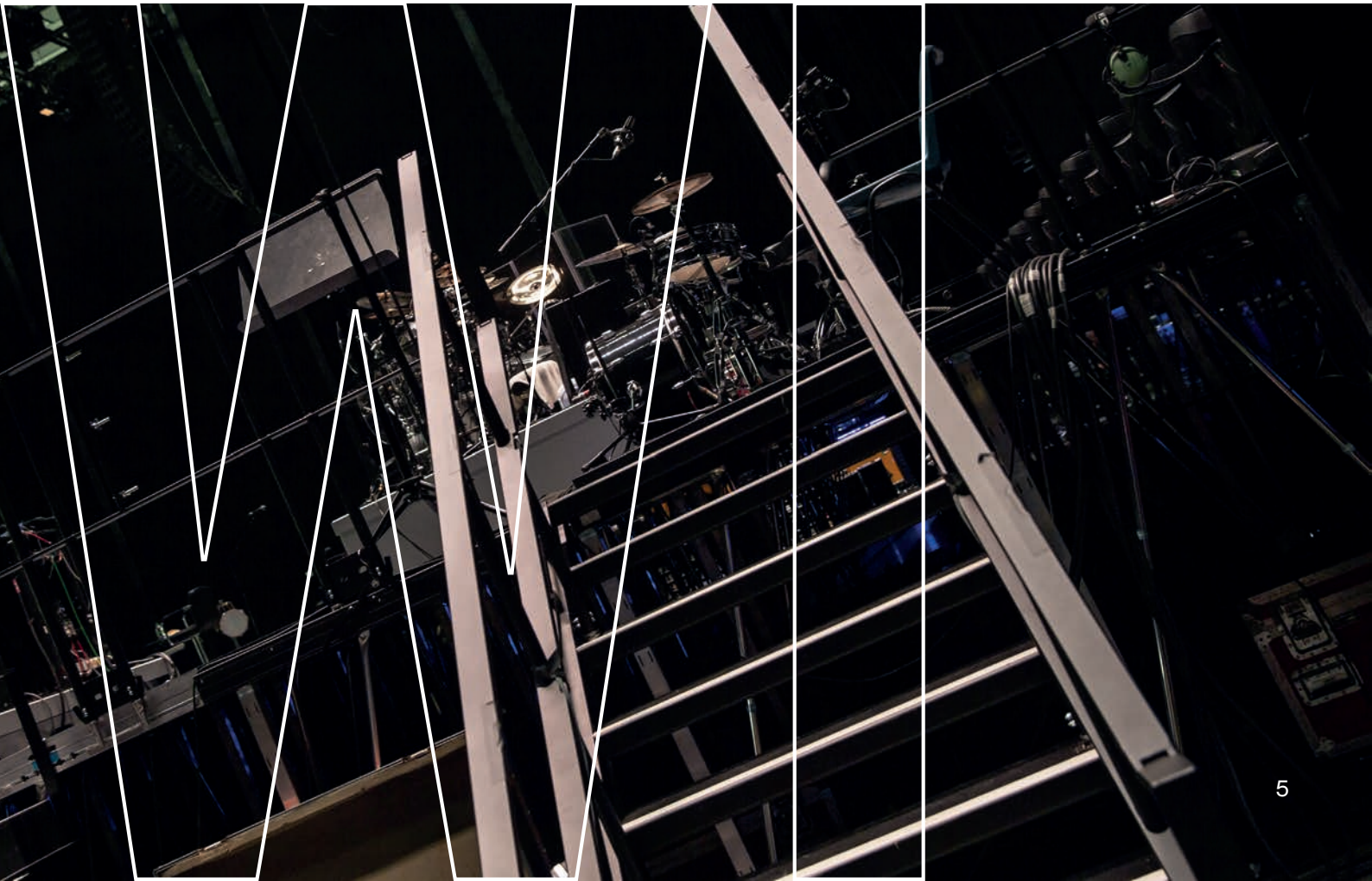
- Side profiles can be added to support handrails, led strips and other accessories. Profiles are standard black but can be powder coated in any color on demand.



- The hook on support can hold a sound or light shelf.



TESTBUILD LONDON, GENESIS | PIC BY LINDSAY CAVE



CUSTOM ELEMENTS

Every production has its own custom demands and special needs. The WIDECK is customizable in every way you can think of: size, shape, holes, hatches, pins, attachments, rings, fire pits, power feeds.... Name it, and it's possible.



Custom deck



Custom leg

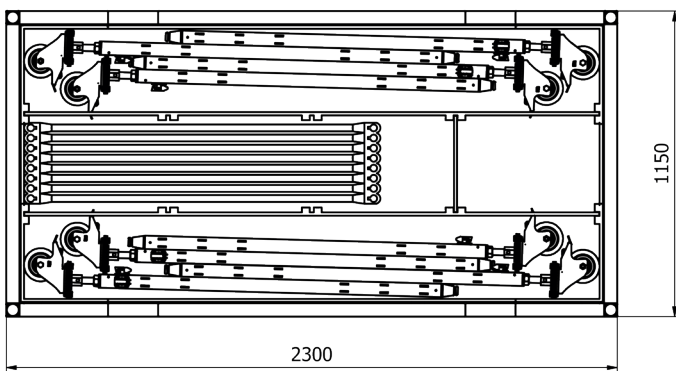
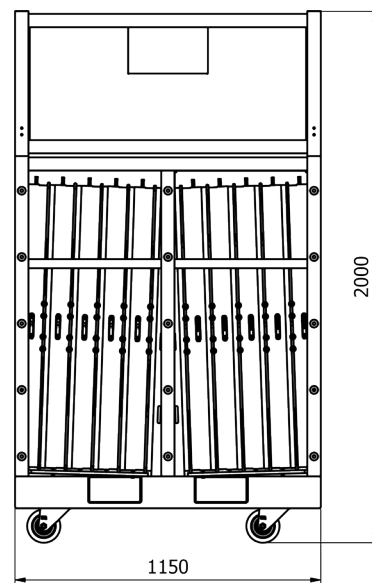
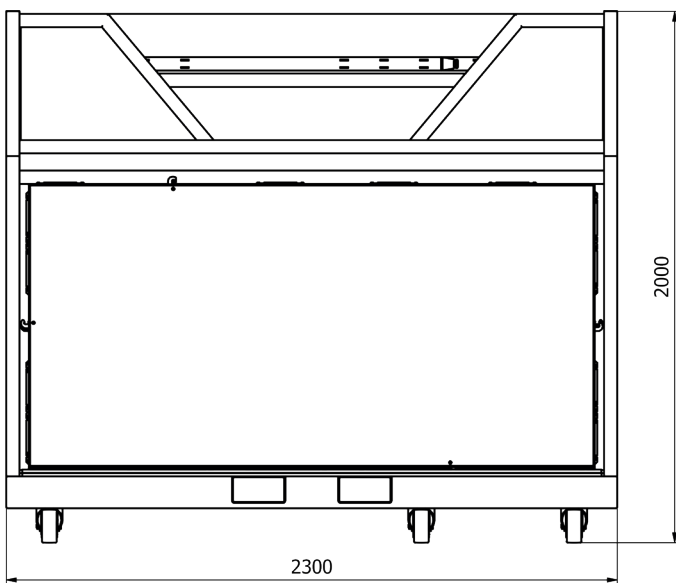
REHEARSALS LONDON, GENESIS | PIC BY LINDSAY CAVE



TRANSPORT

Dollies are provided to transport all the decks in a practical and safe way. Decks, legs and diagonals are all stored together in our dolly. WIDECK has been specifically designed to make a build easy and quick with every piece always close by. When needed custom dollies are created to fit all needs.

DRAWING



Total weight dolly with 10 decks: **1173kg**

HIGHLIGHTS



TESTBUILD WI, SCORPIONS | PIC BY WI



TESTBUILD LONDON, GENESIS | PIC BY LINDSAY CAVE

Large open area to store flight cases, ...

Side profiles with video screen support

The hook on support can hold a sound or light shelf

TESTBUILD WI, GENESIS | PIC BY WI

