

**WI**creations  
Special Constructions and effects

Christmas story  
the Nutcracker  
ON ICE

**General:**

To honor the 170th birthday of the greatest Russian composer P. I. Tchaikovsky the Russian "Stage Entertainment company" staged "Nutcracker on ice", a new year show for the entire family. This musical on ice, ran from December 18 till January 10 in the Luzhniki Palace of Sports, Moscow.

The performance organically merged all the artistic means: vivid ice skating choreography, an original scenographic concept with tens of decoration changes and hundreds of colorful costumes. For this superb production Wcreations designed and built (the facades) of an entire city block measuring 24 x 12 m. The 'block' was erected on the skating rink and moved up and down with our motion control system.

**Concept:**



Design 1



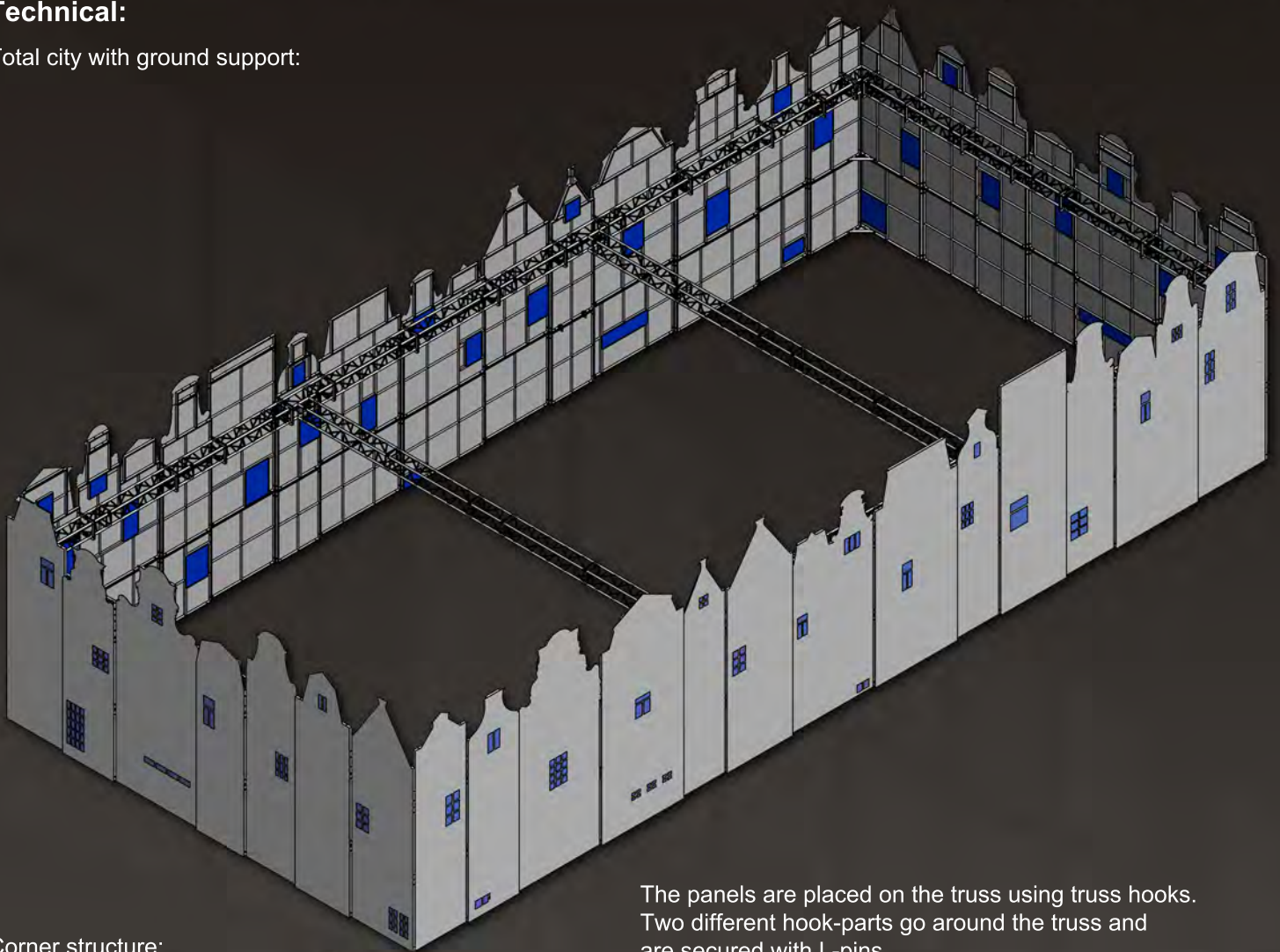
Design 2



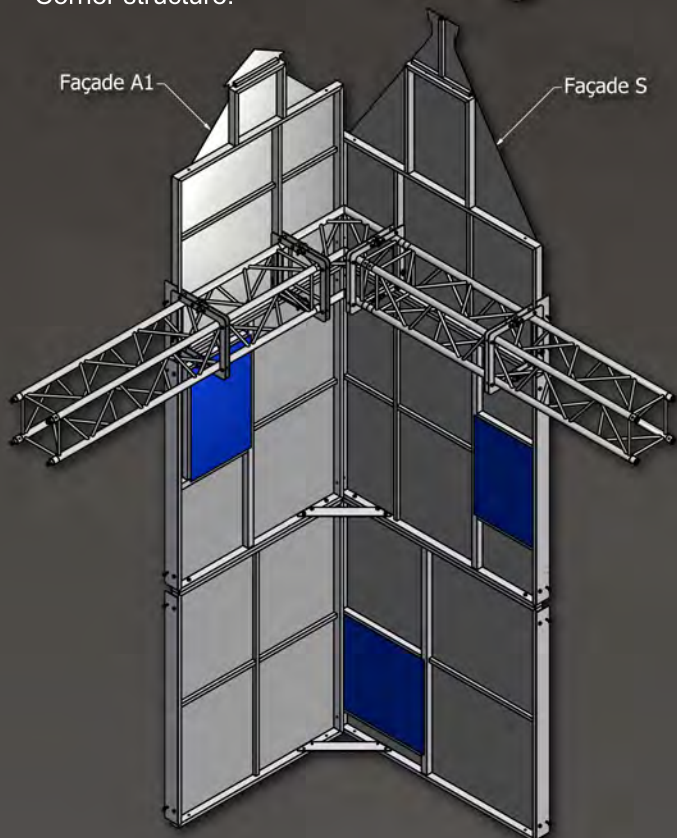
Total concept

**Technical:**

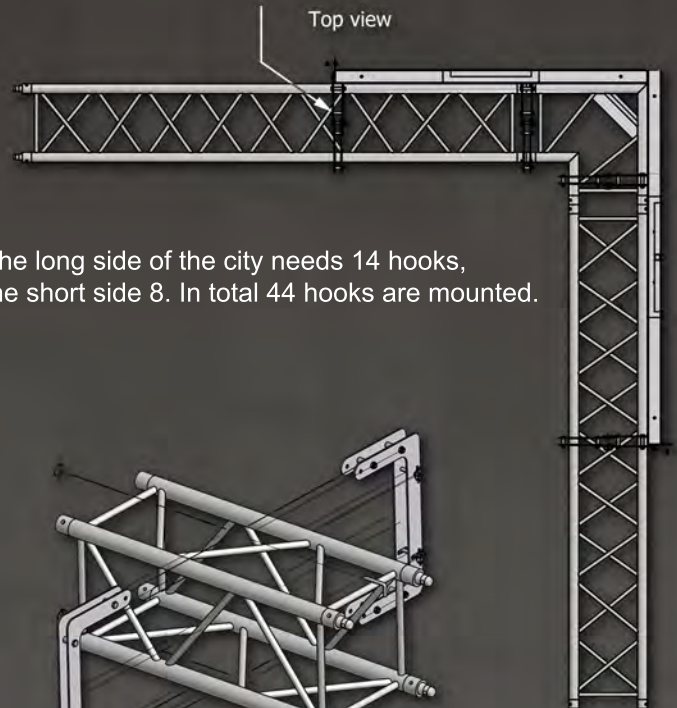
Total city with ground support:



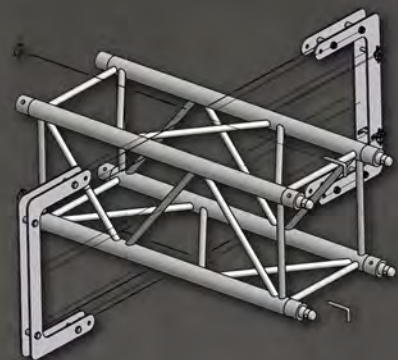
**Corner structure:**



The panels are placed on the truss using truss hooks. Two different hook-parts go around the truss and are secured with L-pins.

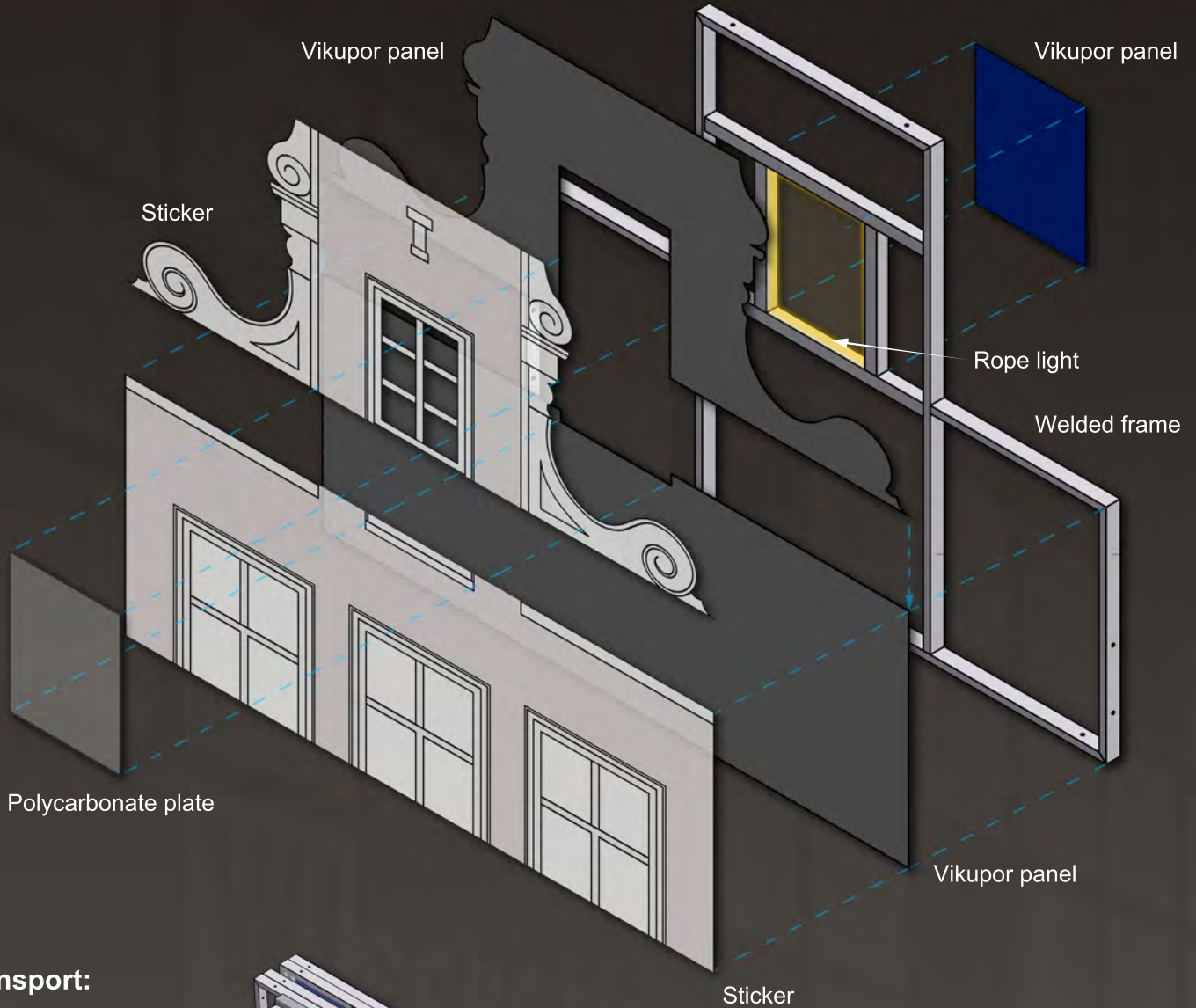


The long side of the city needs 14 hooks, the short side 8. In total 44 hooks are mounted.

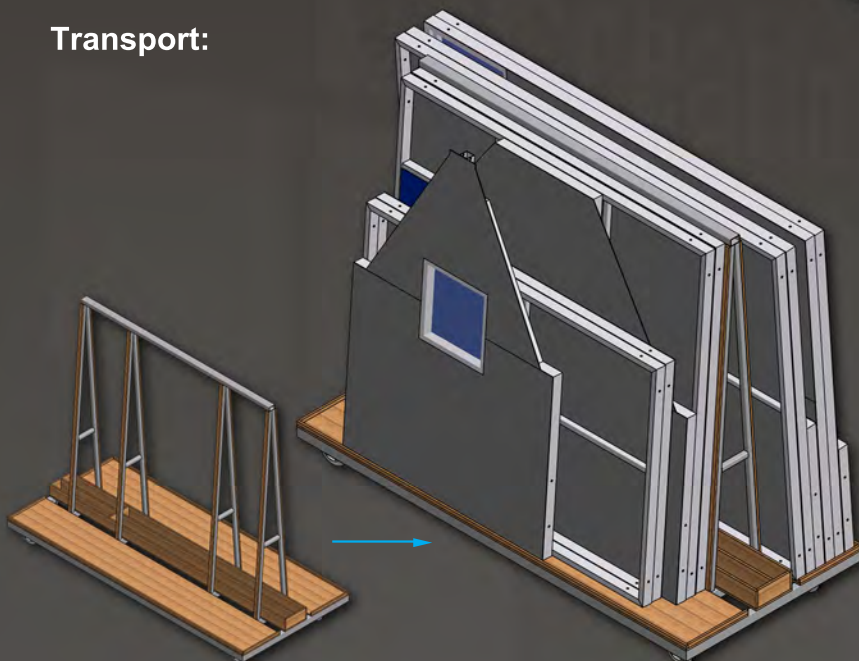


**The façade:**

Every façade element is built out of a frame with Vikupor panels, the panels are foreseen with stickers. To simulate the light burning in the rooms, a rope light has been placed behind the vikupor panels.



**Transport:**



For the transport of the city, 10 dollies are available. Every dolly contains a number of frames that are used to build up the façades. The connection plates, L-pins and bolts can be found in the wooden boxes on the dollies. Finally the truss hooks, used to connect the façades to the truss, are placed in a extra wooden box.

**Construction:**



**Show:**

